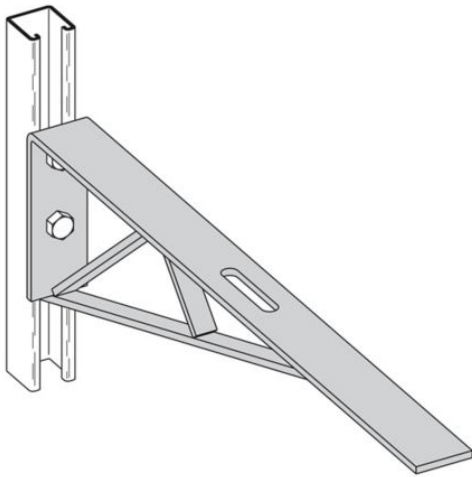


Eaton B192ZN

Catalog Number: B192ZN

Eaton B-Line series bracket, 6" H x 24" L x 1.62" W, Steel, Electro-plated



General specifications

Product Name	Catalog Number
Eaton B-Line series bracket	B192ZN
UPC	Product Length/Depth
781011519230	24 in
Product Height	Product Width
6 in	1.62 in
Product Weight	Certifications
5.76 lb	Not Applicable

Model

Special features

1 hole, (1) 3 In length X 9/16 in width slot

Type

Bracket

Material/finish

Finish

Electro-plated

Material

Steel

Resources

Catalogs

[Strut Fittings Catalog Section](#)

[Channel Nuts and Hardware Catalog Section](#)

Specifications and datasheets

[Eaton Specification Sheet - B192ZN](#)



Eaton Corporation plc
Eaton House
30 Pembroke Road
Dublin 4, Ireland
Eaton.com
© 2023 Eaton. All Rights Reserved.

Eaton is a registered trademark.

All other trademarks are property of their respective owners.



[Eaton.com/socialmedia](https://www.eaton.com/socialmedia)